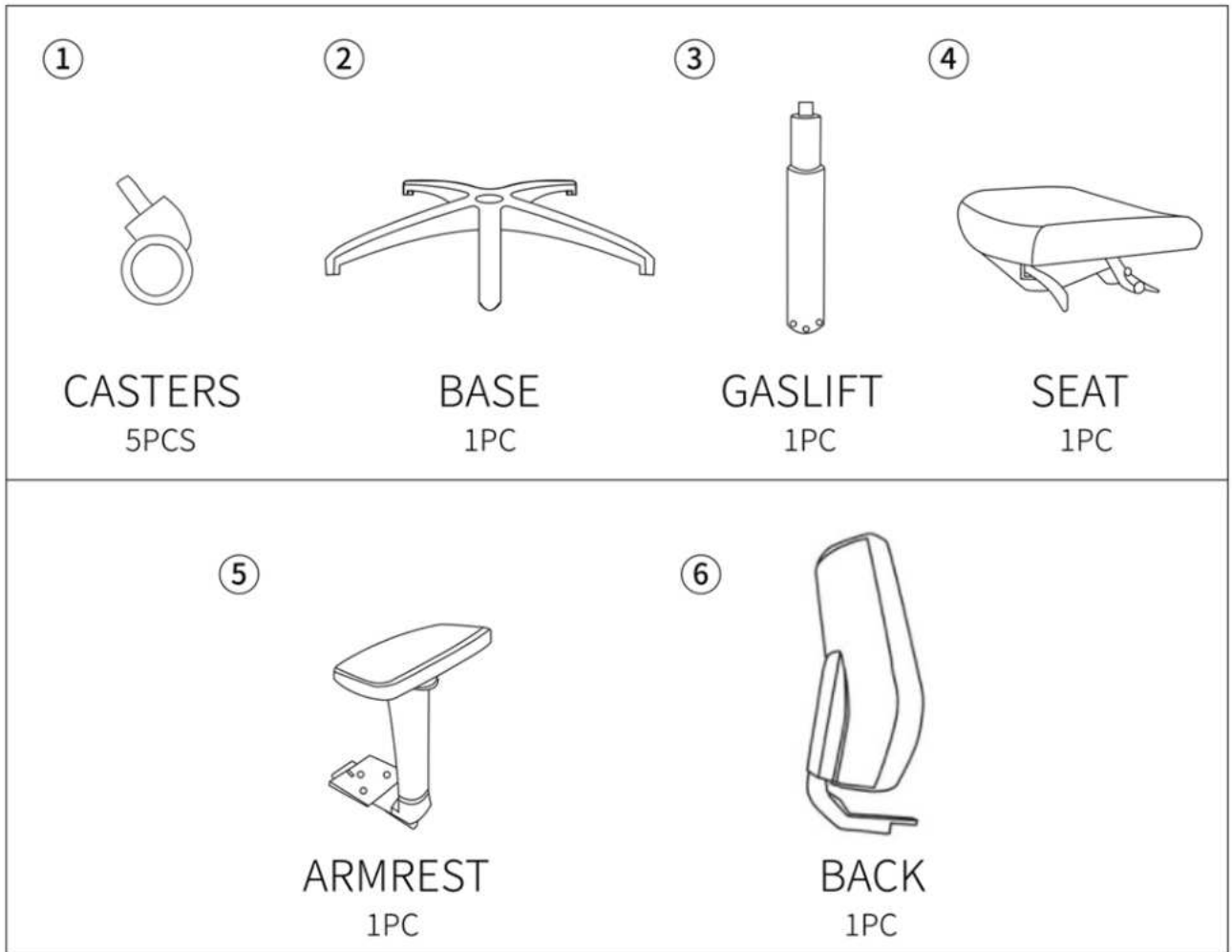
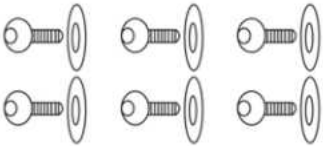


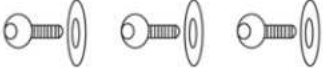


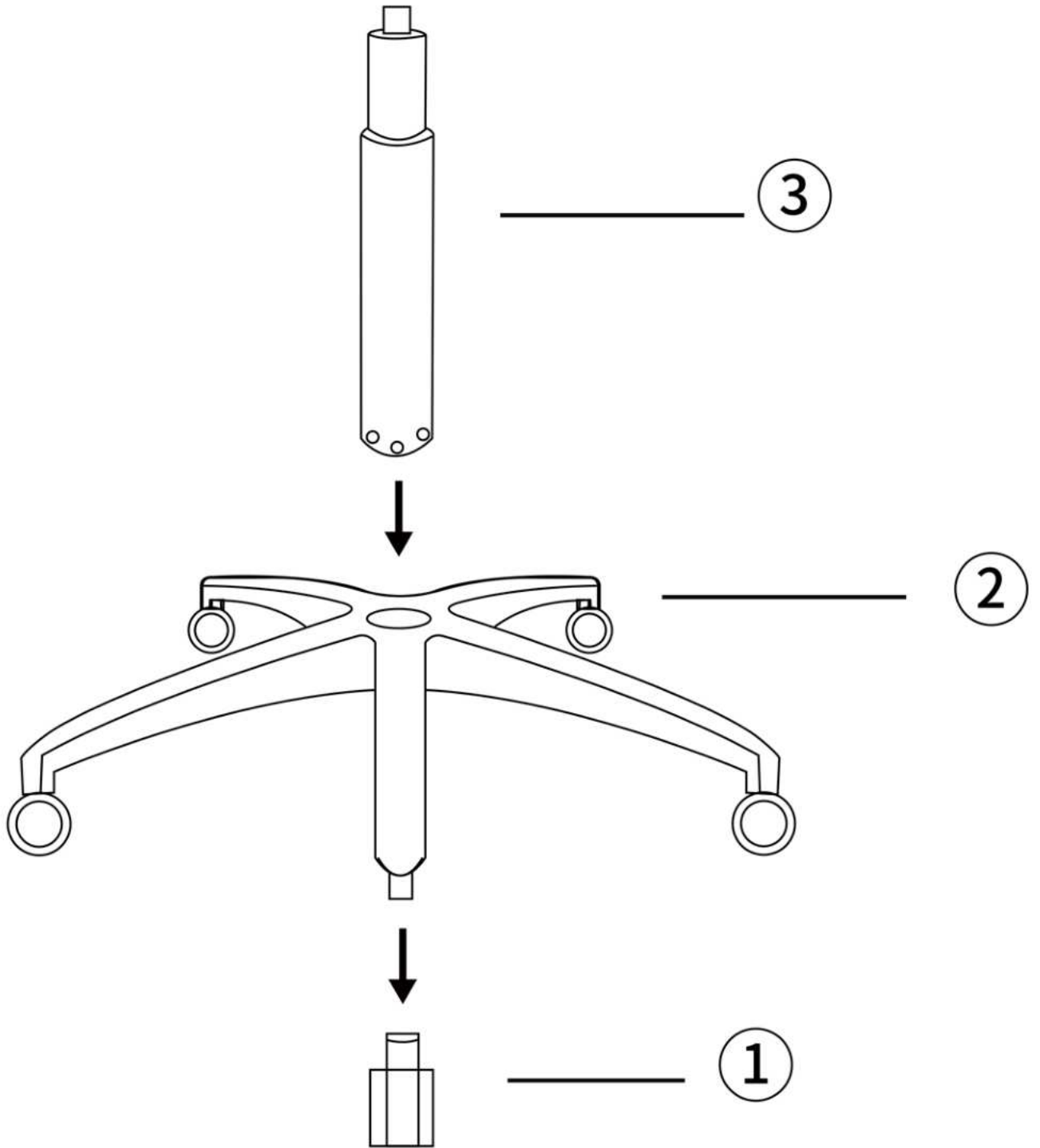
MANUAL

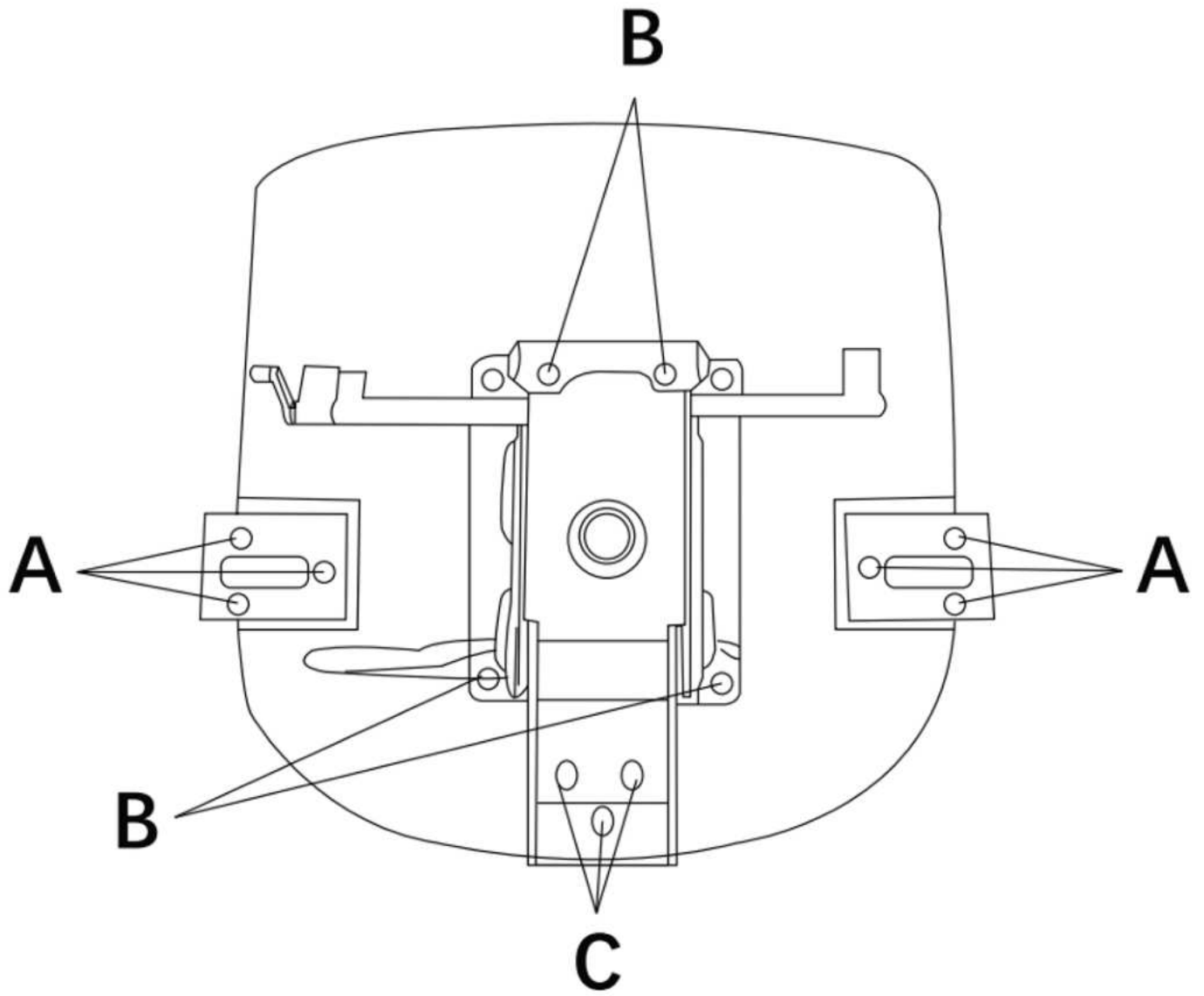




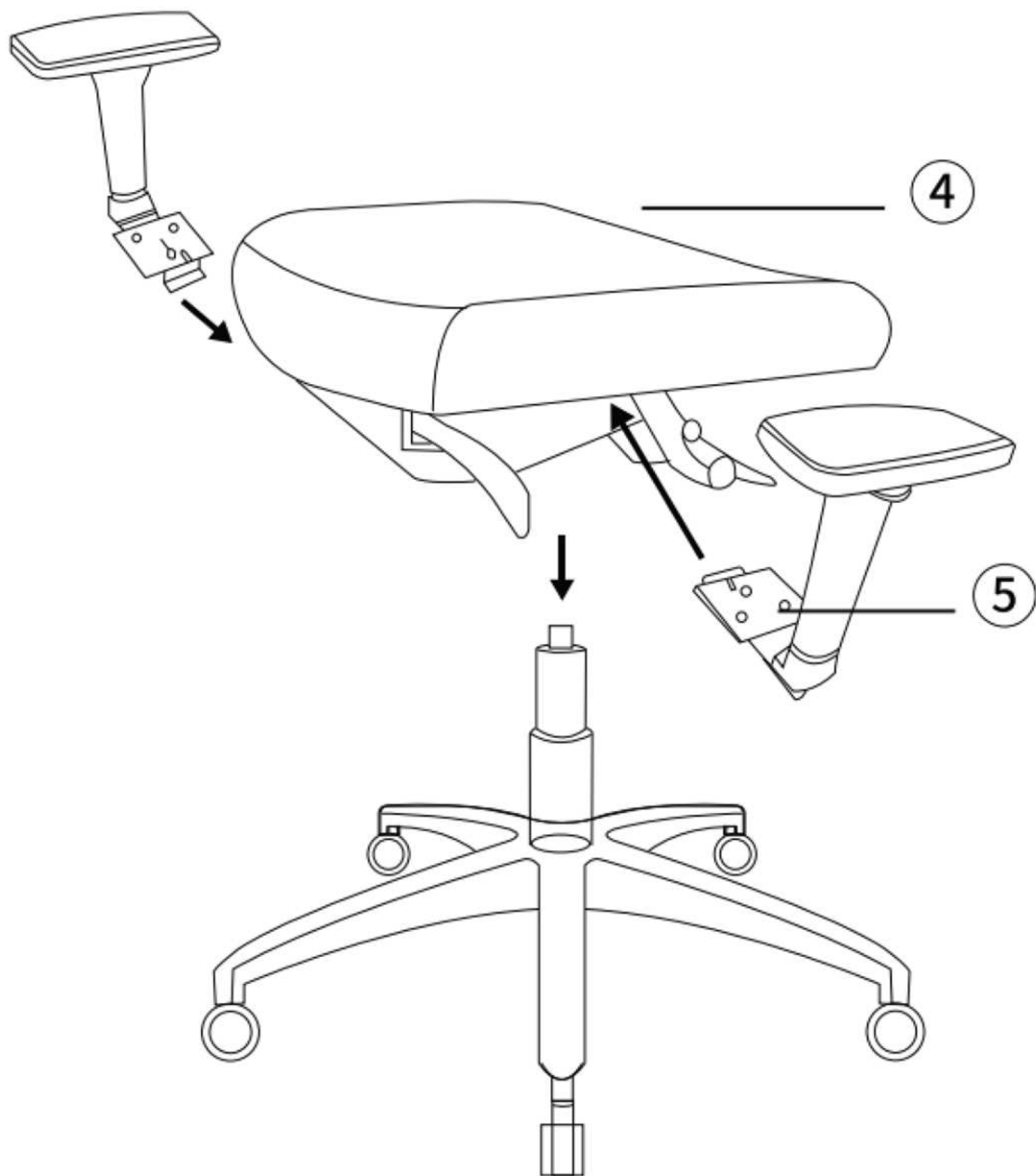
| | |
|---|--|
| <p>Armrest Screws</p> <p>A </p> <p>M6*25 6PCS</p> | <p>ALLEN WRENCH</p>  <p>M5</p> |
| <p>Mechanism Screws</p> <p>B </p> <p>M6*25 4PCS</p> | |
| <p>Bracket Screws</p> <p>C </p> <p>M8*16 3PCS</p> | |

Step 1 /





Step 3 /



Step 4 /

